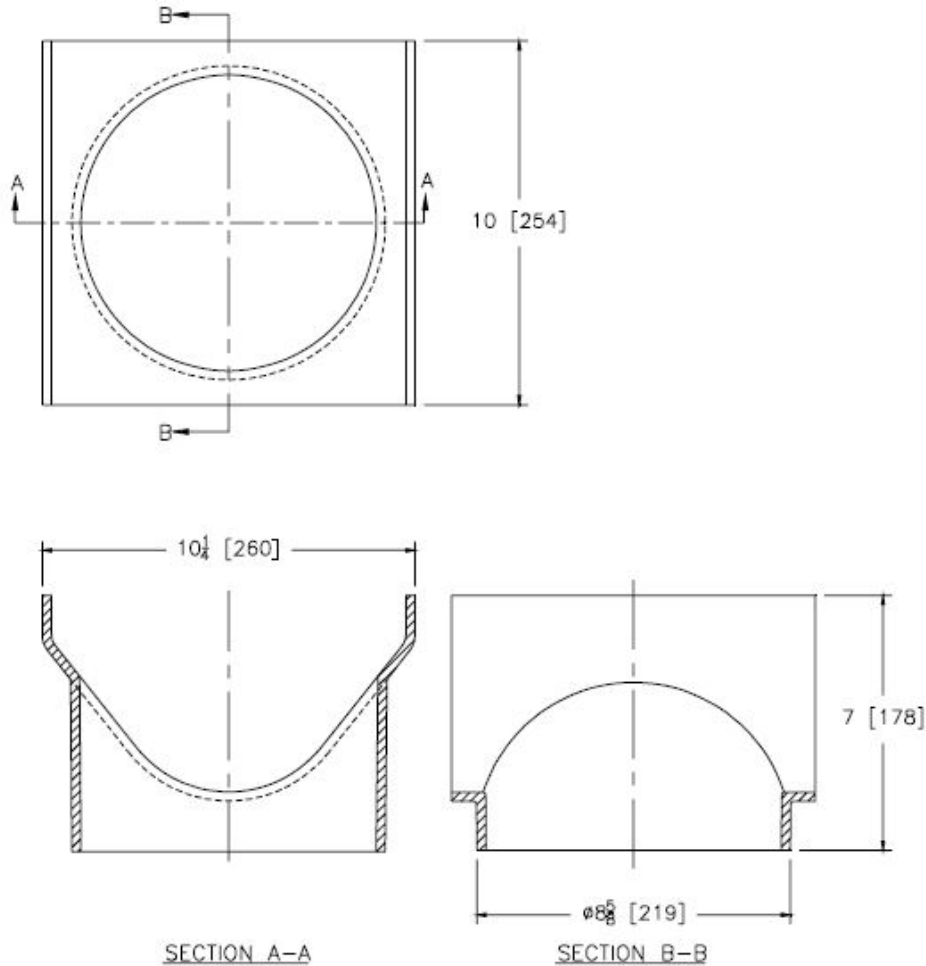


<p><b>Number</b> <b>Z882 U8 8" Bottom Outlet</b></p>	<p><b>Series</b> <b>CPZ882</b> HDPE Endcaps Z882 Series</p>
--	---



Please Check	Item No.	Part Number	Item I.D.
✓	7	62206-003	P882-U8

**Manufacturer**



**ENGINEERING SPECIFICATION: ZURN Z882-U8**  
 8 [203] No-Hub Bottom Outlet for 12 [301] wide Trench Drainage System. Outlet is made of 1/4 [6] thick HDPE and is designed for No-Hub applications using an adapter (Supplied by other).  
**\*\*Unit to be cut in field per channel depth.**

DISCLAIMER - The customer and the customer's architects, engineers, consultants, and other professionals are completely responsible for the selection installation and maintenance of any product purchased from Trench Drain Supply and/or its manufacturers. TRENCH DRAIN SUPPLY MAKES NO WARRANTY, EXPRESS OR IMPLIED, AS TO THE SUITABILITY, DESIGN, MERCHANTABILITY, OR FITNESS OF THE PRODUCT FOR CUSTOMERS APPLICATION. The drawing and information provided remain the property and copyright of the manufacturer listed. The manufacturer reserves the right to modify specification without notice.